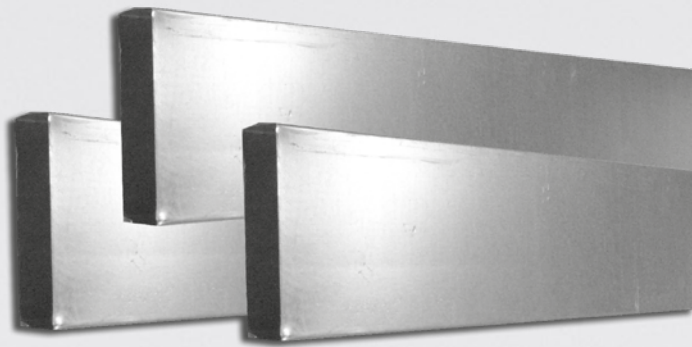
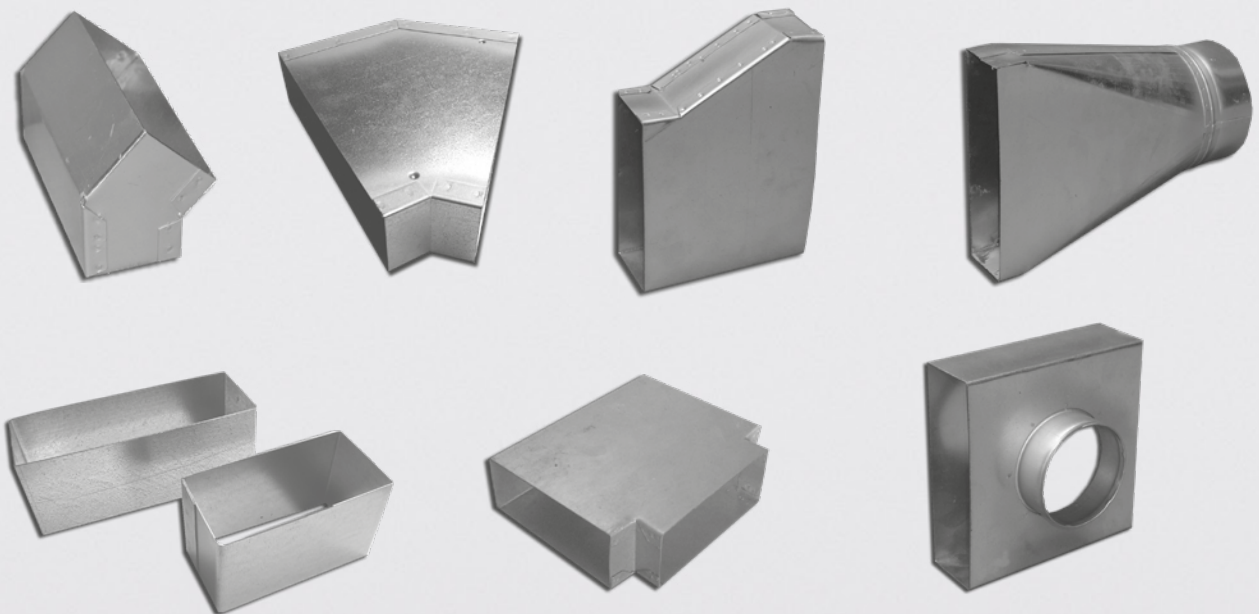


# PICHLER MINI-DUCTS



**COMFORT  
VENTILATION**

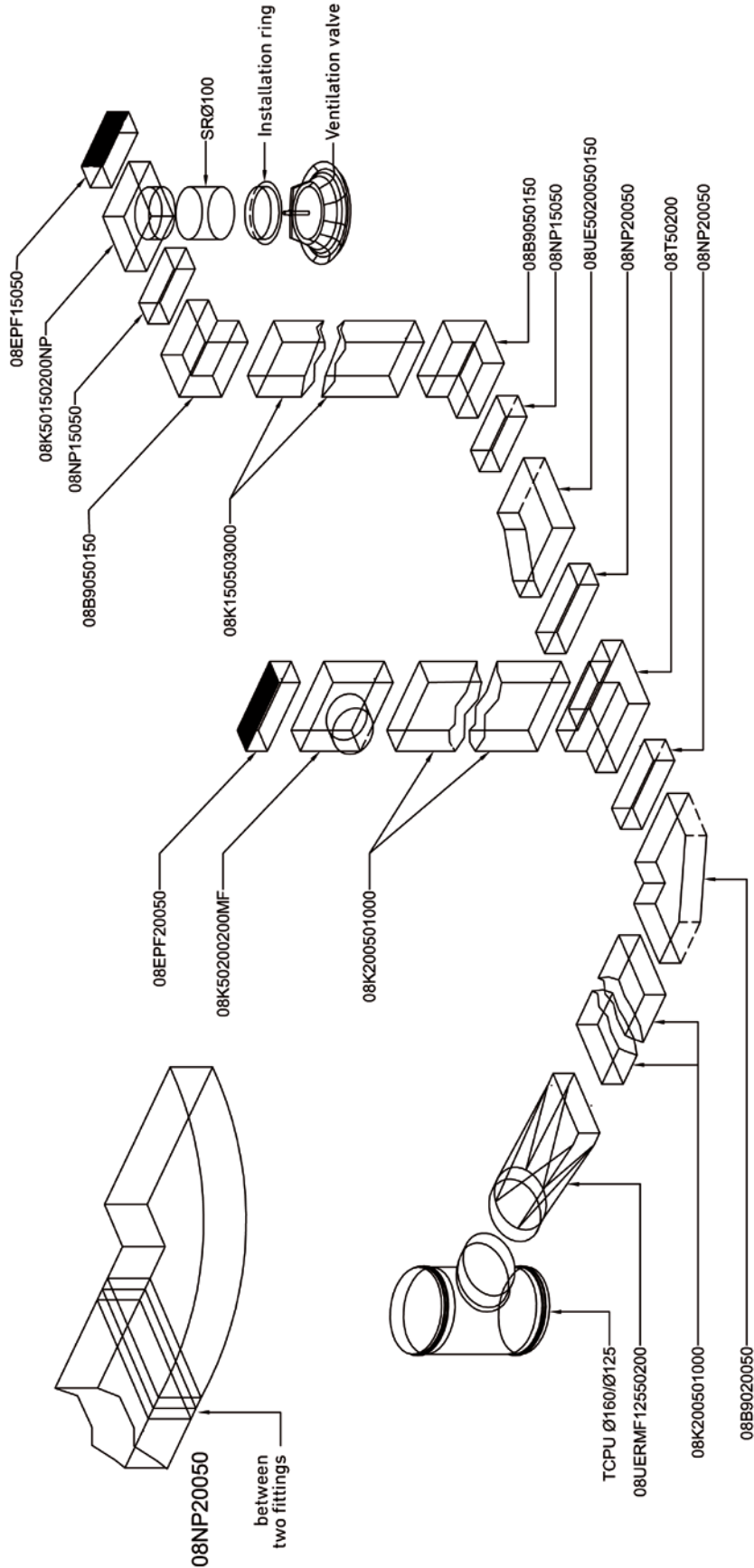


 **PICHLER**

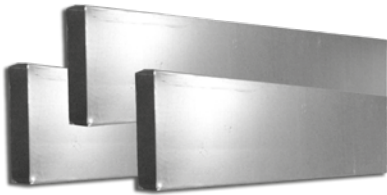
*Systematic ventilation.*

# Mini-ducts example of assembly

**Note:** To avoid heat loss and condensation, suitable insulation must be provided by the customer during installation. The fittings fit over the duct.



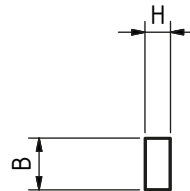
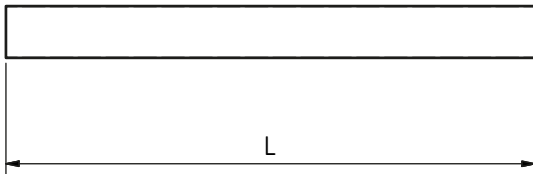
# Flat duct K



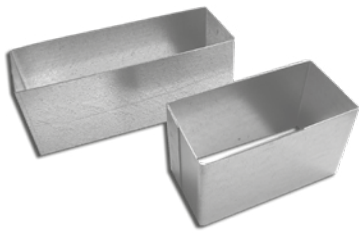
Flat duct K made from galvanized sheet steel.

Item number	W x H x L [mm]	Weight [kg]
08K100501000	98 x 48 x 1000	1.8
08K100501500	98 x 48 x 1500	2.5
08K100502000	98 x 48 x 2000	3.5
08K150501000	148 x 48 x 1000	2.6
08K150501500	148 x 48 x 1500	3.3
08K150502000	148 x 48 x 2000	4.0
08K200501000	198 x 48 x 1000	3.1
08K200501500	198 x 48 x 1500	4.5
08K200502000	198 x 48 x 2000	6.0
08K250501000	248 x 48 x 1000	3.5
08K250501500	248 x 48 x 1500	5.0
08K250502000	248 x 48 x 2000	6.5

## Layout sketch



# Duct and fitting connector AF/NP

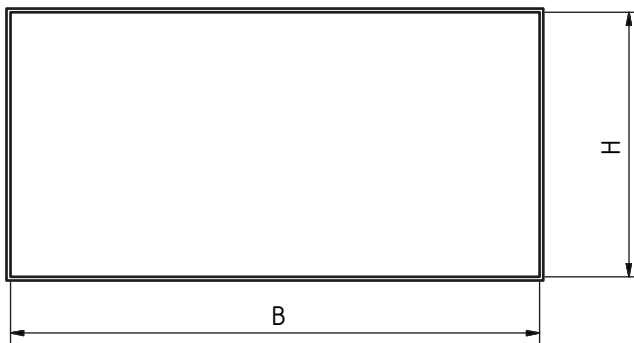


Duct (AF) and fitting connector (NP) made from galvanized sheet steel.

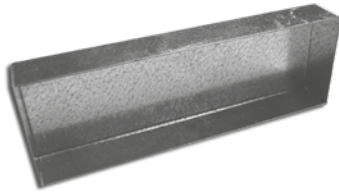
Item number	Description	W x H x L [mm]	Weight [kg]
08AF10050	for duct connection	100 x 50 x 60	0.1
08AF15050	for duct connection	150 x 50 x 60	0.1
08AF20050	for duct connection	200 x 50 x 60	0.2
08AF25050	for duct connection	250 x 50 x 60	0.3
08NP10050	for fitting connection	98 x 48 x 60	0.1
08NP15050	for fitting connection	148 x 48 x 60	0.1
08NP20050	for fitting connection	198 x 48 x 60	0.2
08NP25050	for fitting connection	248 x 48 x 60	0.3

## Layout sketch

FIGURE AF



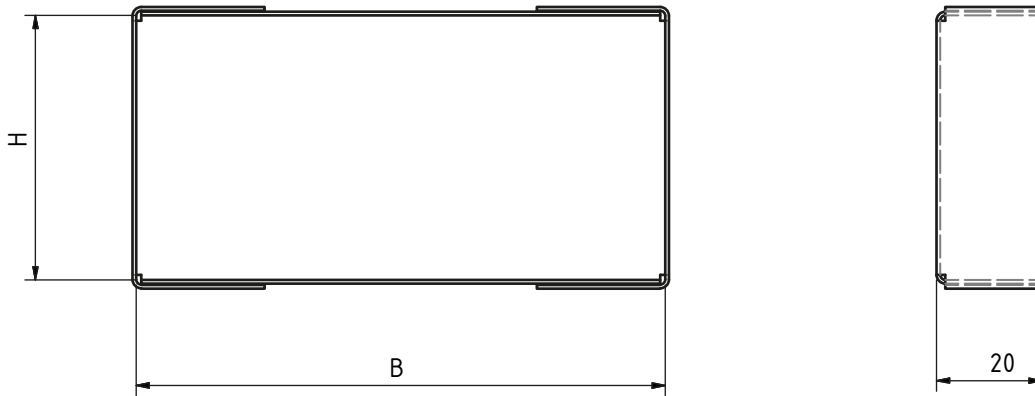
# End cover for duct and fitting EP/EPF



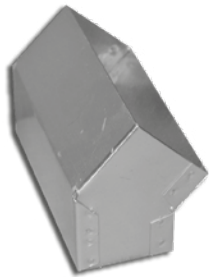
End cover for duct (EP) and fitting (EPF) made from galvanized sheet steel.

Item number	Description	W x H x L [mm]	Weight [kg]
08EP10050	for sealing ducts	100 x 50 x 20	0.1
08EP15050	for sealing ducts	150 x 50 x 20	0.1
08EP20050	for sealing ducts	200 x 50 x 20	0.1
08EP25050	for sealing ducts	250 x 50 x 20	0.2
08EPF10050	for sealing fittings	102 x 52 x 20	0.1
08EPF15050	for sealing fittings	152 x 52 x 20	0.1
08EPF20050	for sealing fittings	202 x 52 x 20	0.1
08EPF25050	for sealing fittings	252 x 52 x 20	0.2

## Layout sketch



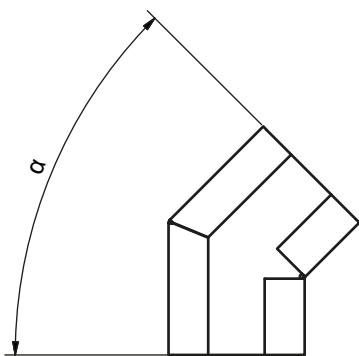
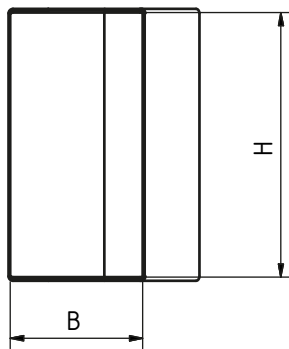
# Bend, standing B



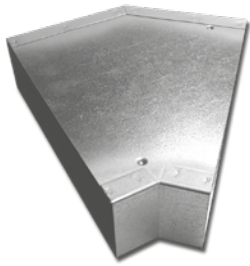
Bend standing B made from galvanized sheet steel.

Item number	Description	W x H [mm]	Weight [kg]
08B3050100	Bend 30° - standing	50 x 100	0.2
08B4550100	Bend 45° - standing	50 x 100	0.2
08B6050100	Bend 60° - standing	50 x 100	0.2
08B9050100	Bend 90° - standing	50 x 100	0.2
08B3050150	Bend 30° - standing	50 x 150	0.2
08B4550150	Bend 45° - standing	50 x 150	0.2
08B6050150	Bend 60° - standing	50 x 150	0.2
08B9050150	Bend 90° - standing	50 x 150	0.3
08B3050200	Bend 30° - standing	50 x 200	0.3
08B4550200	Bend 45° - standing	50 x 200	0.4
08B6050200	Bend 60° - standing	50 x 200	0.5
08B9050200	Bend 90° - standing	50 x 200	0.7
08B9050250	Bend 90° - standing	50 x 250	0.9

## Layout sketch



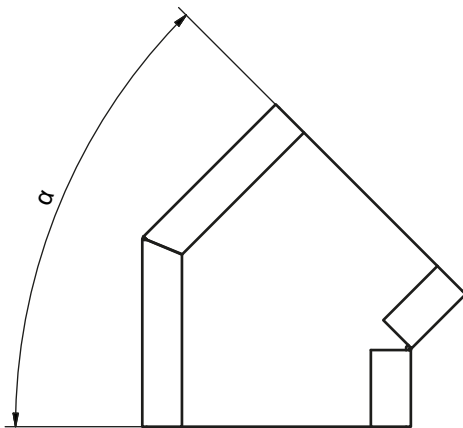
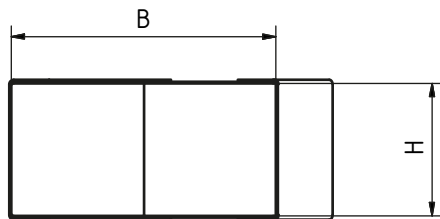
# Bend, flat B



Bend flat B made from galvanized sheet steel.

Item number	Description	W x H [mm]	Weight [kg]
08B4510050	Bend 45° - flat	100 x 50	0.2
08B6010050	Bend 60° - flat	100 x 50	0.3
08B9010050	Bend 90° - flat	100 x 50	0.3
08B4515050	Bend 45° - flat	150 x 50	0.3
08B6015050	Bend 60° - flat	150 x 50	0.4
08B9015050	Bend 90° - flat	150 x 50	0.5
08B4520050	Bend 45° - flat	200 x 50	0.5
08B6020050	Bend 60° - flat	200 x 50	0.6
08B9020050	Bend 90° - flat	200 x 50	0.8
08B9025050	Bend 90° - flat	250 x 50	1.0

## Layout sketch



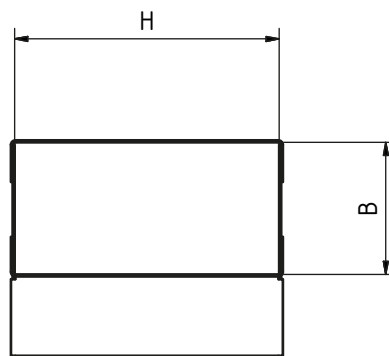
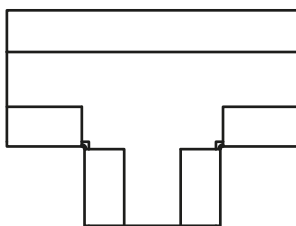
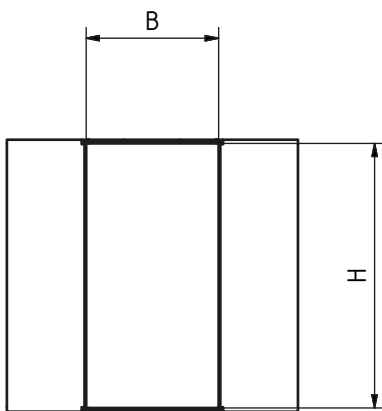
# T-piece, standing T



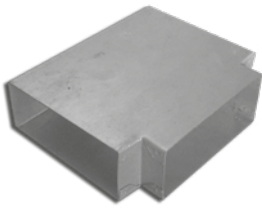
T-piece standing T made from galvanized sheet steel..

Item number	W x H [mm]	Weight [kg]
08T50100	50 x 100	0.3
08T50150	50 x 150	0.3
08T50200	50 x 200	0.4
08T50250	50 x 250	0.5

## Layout sketch



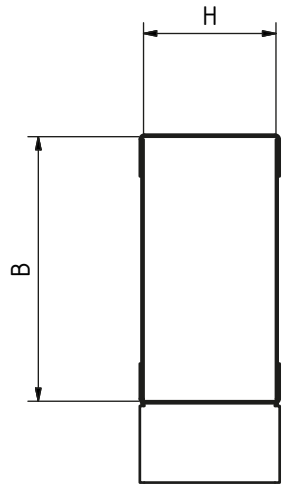
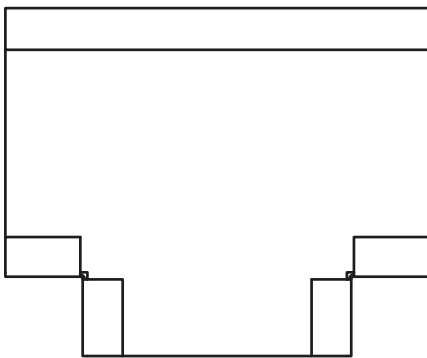
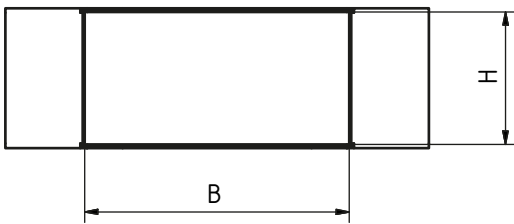
# T-piece, flat T



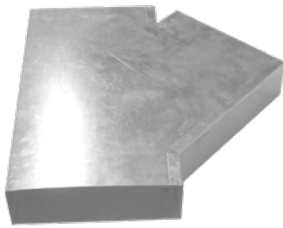
T-piece flat T made from galvanized sheet steel.

Item number	W x H [mm]	Weight [kg]
08T100100	100 x 50	0.4
08T150150	150 x 50	0.6
08T200200	200 x 50	0.9
08T250250	250 x 50	1.0

## Layout sketch



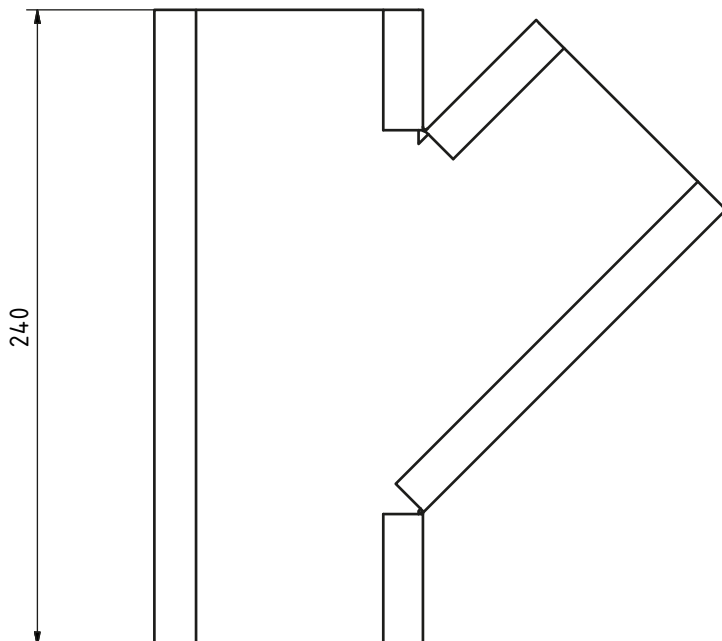
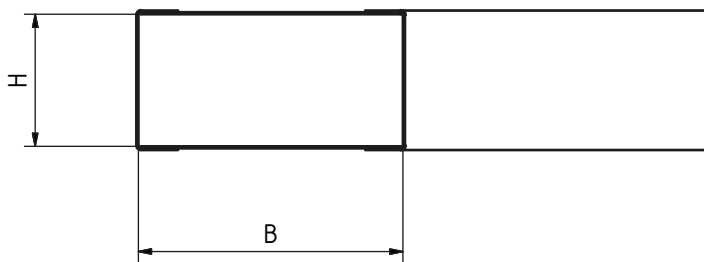
# Splitter flat TV



Splitter flat TV 45° made from galvanized sheet steel, L = 240 mm

Item number	W x H [mm]	Weight [kg]
08TV10050	100 x 50	0.5
08TV15050	150 x 50	1.0
08TV20050	200 x 50	1.5

## Layout sketch



# Duct pieces with spigot K...NP/MF

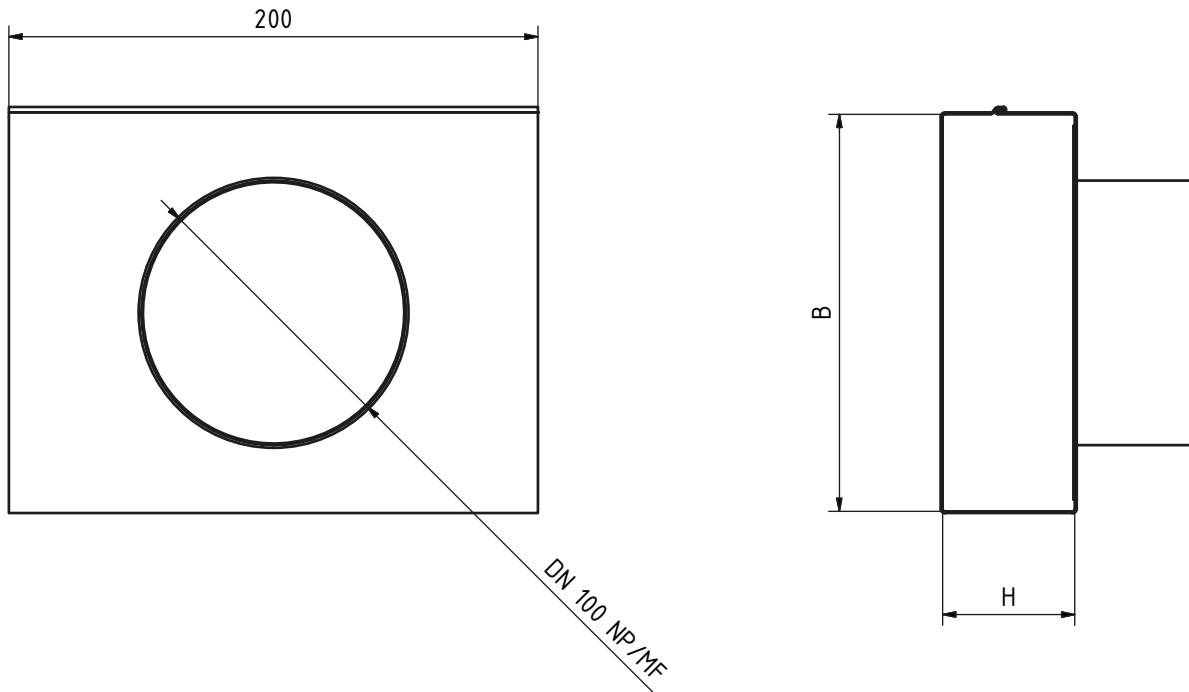


Duct pieces with spigot  $\varnothing$  100 K...NP/MF made from galvanized sheet steel.

Item number	Description	W x H x L [mm]	Weight [kg]
08K50100200NP	with spigot $\varnothing$ 100 mm NP	100 x 50 x 200	0.4
08K50100200MF	with spigot $\varnothing$ 100 mm MF	100 x 50 x 200	0.4
08K50150200NP	with spigot $\varnothing$ 100 mm NP	150 x 50 x 200	0.5
08K50150200MF	with spigot $\varnothing$ 100 mm MF	150 x 50 x 200	0.5
08K50200200NP	with spigot $\varnothing$ 100 mm NP	200 x 50 x 200	0.7
08K50200200MF	with spigot $\varnothing$ 100 mm MF	200 x 50 x 200	0.7

NP = nipple size  
MF = sleeve size

## Layout sketch



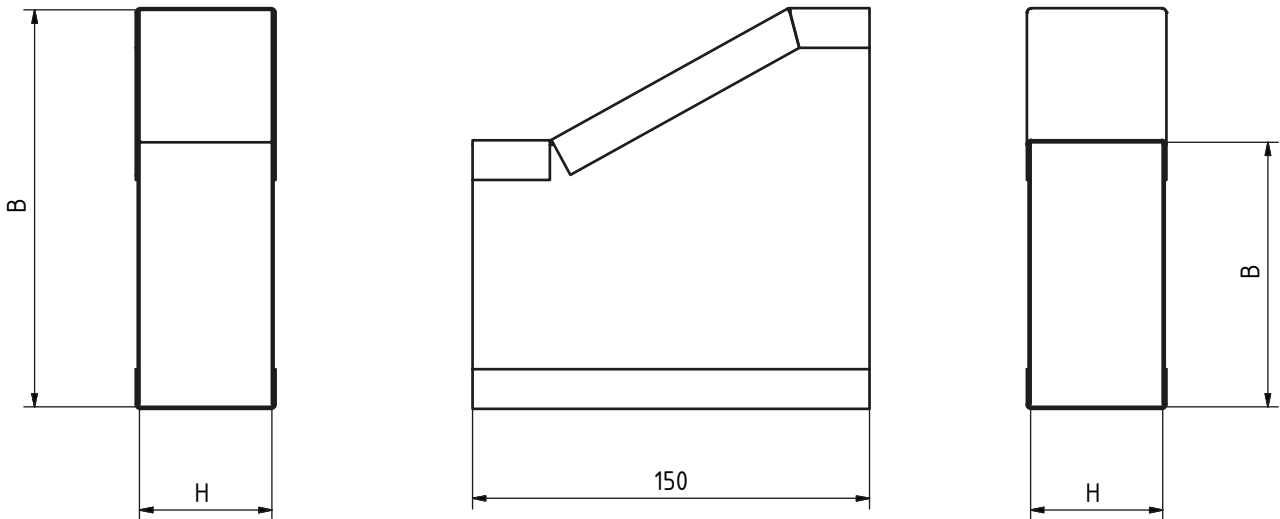
# Junction square/square UE



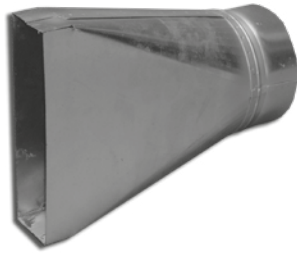
Junction square/square UE made from galvanized sheet steel.

Item number	W x H on W x H [mm]	Weight [kg]
08UE5015050100	100 x 50 on 150 x 50	0.4
08UE5020050150	150 x 50 on 200 x 50	0.5

## Layout sketch



# Junctions square/round UER

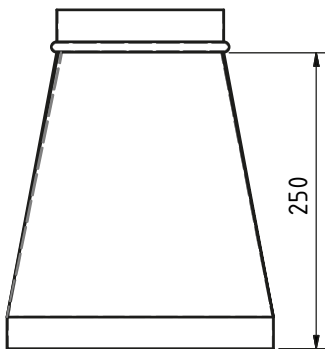
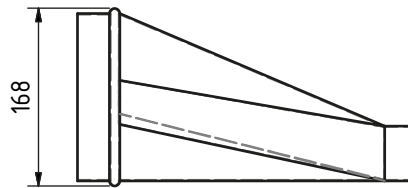
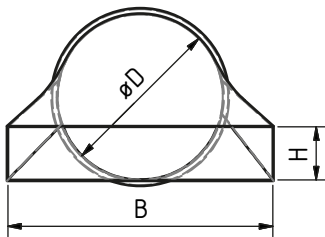


Junctions square/round UER made from galvanized sheet steel.

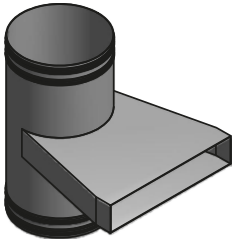
Item number	W x H on Ø [mm]	Weight [kg]
08UERNP10010050	100 x 50 on Ø 100 NP	0.7
08UERMF10010050	100 x 50 on Ø 100 MF	0.7
08UERNP8015050	150 x 50 on Ø 80 NP	
08UERMF8015050	150 x 50 on Ø 80 MF	
08UERNP10015050	150 x 50 on Ø 100 NP	0.8
08UERMF10015050	150 x 50 on Ø 100 M	0.8
08UERNP12520050	200 x 50 on Ø 125 NP	1.0
08UERMF12520050	200 x 50 on Ø 125 MF	1.0
08UERNP16020050	200 x 50 on Ø 160 NP	
08UERNP20020050	200 x 50 on Ø 200 NP	
08UERNP16025050	250 x 50 on Ø 160 NP	
08UERNP25025050	250 x 50 on Ø 250 NP	

NP = nipple size  
MF = sleeve size

## Layout sketch



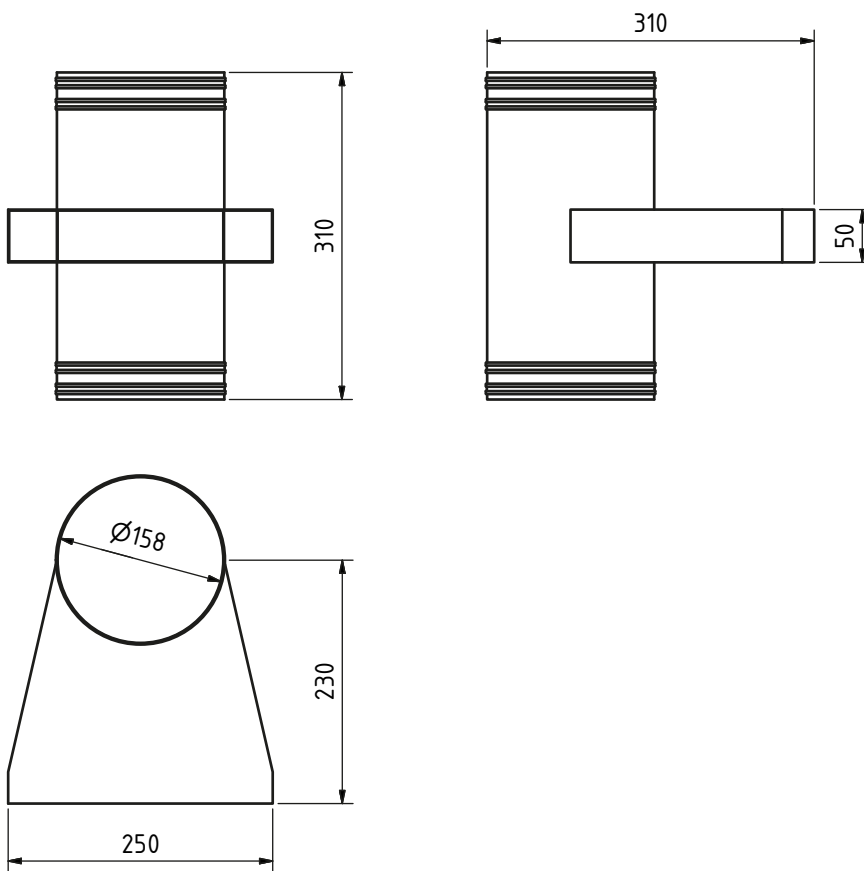
# Junction SR pipe to flat duct UERSR



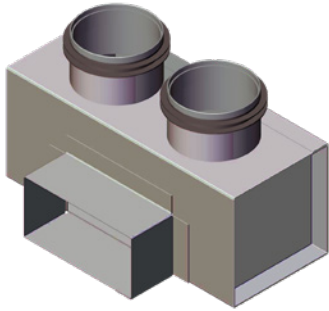
Junction SR pipe to flat duct UERSR made from galvanized sheet steel.

Item number	Ø D on W x H [mm]
08UERSR16025050	160 on 250 x 50

## Layout sketch



# Distribution box VKMK2

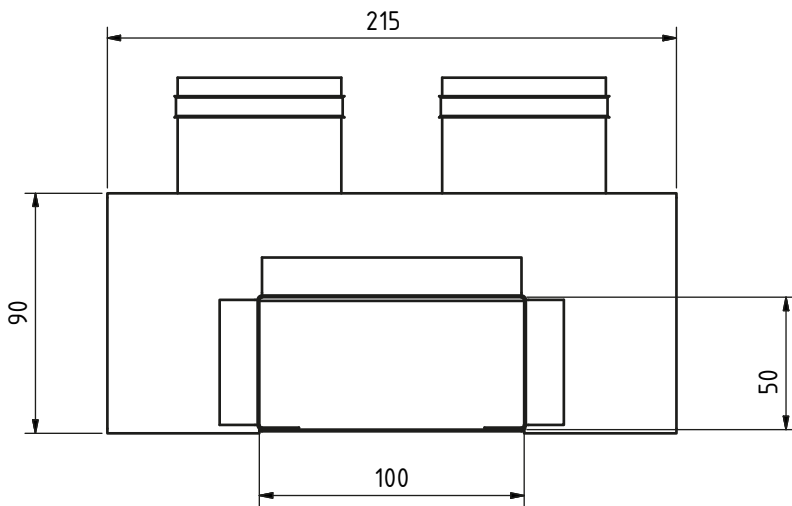


Distribution box VKMK2 made from galvanized sheet steel.

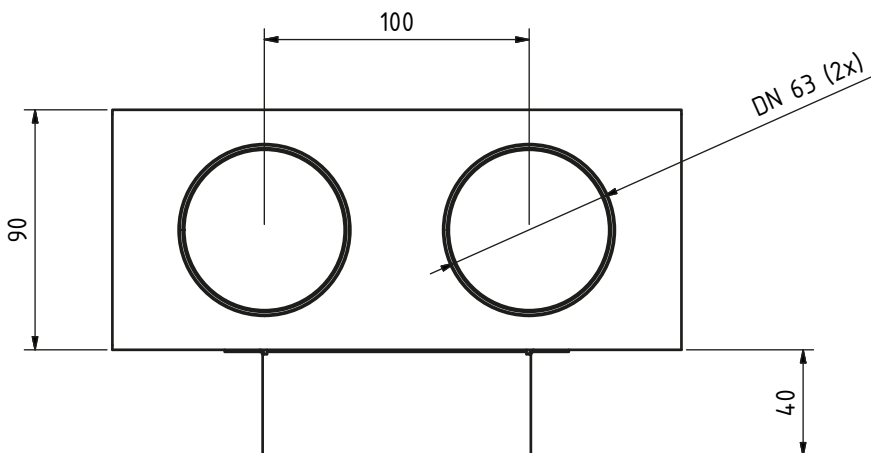
Item number	Connection [mm]	Outlets [mm]	W x H x L [mm]
08VKMK2H	1 x mini-duct system 100 x 50	2 x Ø 63 with lip seal (backwards)	215 x 90 x 90
08VKMK2O	1 x mini-duct system 100 x 50	2 x Ø 63 with lip seal (upwards)	215 x 90 x 90

## Layout sketch

08VKMK2H



08VKMK2O



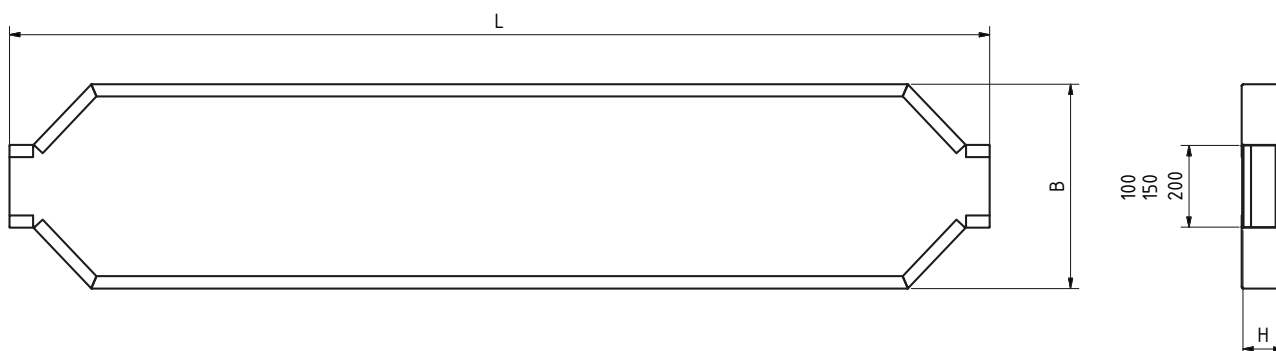
# Flat acoustic damper FSD



Flat acoustic damper FSD made from galvanized sheet steel.

Item number	Connection A x B [mm]	W x H x L [mm]	Attenuation [dB/Hz]
08FSD10050	100 x 50	250 x 50 x 1200	21/250
08FSD15050	150 x 50	300 x 50 x 1200	18/250
08FSD20050	200 x 50	350 x 50 x 1200	15/250

## Layout sketch



klimaaktiv  
Partner



Responsible for the content: J. Pichler Gesellschaft m.b.H. | Graphics and layout: WERK1 Werbegraphik GmbH  
Photos: J. Pichler Gesellschaft m.b.H. | Text: J. Pichler Gesellschaft m.b.H.  
All rights reserved | All photos are symbolic photos | Subject to change without notice | Version: 06/2026 en

**PICHLER**  
Systematic ventilation.

**J. PICHLER**  
Gesellschaft m.b.H.

**AUSTRIA**  
9021 KLAGENFURT  
AM WÖRTHESSEE  
Karlweg 5  
T +43 (0)463 32769

**1100 WIEN**  
Doerenkampgasse 5  
T +43 (0)1 6880988  
office@pichlerluft.at  
www.pichlerluft.at

**PICHLER**  
Lüftungstechnik G.m.b.H

**GERMANY**  
86825 BAD WÖRISHOFEN  
Altvaterstraße 23  
office@pichlerluft.de  
www.pichlerluft.de

**PICHLER & CO d.o.o.**  
prezračevalni sistemi

**SLOVENIA**  
2000 MARIBOR  
Cesta k Tamu 26  
T +386 (0)2 46013-50  
pichler@pichler.si  
www.pichler.si

**KLIMA DOP d.o.o.**  
klimatizacija i ventilacija

**SERBIA**  
11271 BEOGRAD (SURČIN)  
Milana Konjovića 61  
T +381 (0)11 3190177  
office@klimadop.com  
www.klimadop.com

**AIRVENT d.o.o.**  
Member of Pichler Holding

**BOSNIA**  
77230 VELIKA KLAĐUŠA  
I Muslimanske Brigade BB  
T +387 (0)37 772-661  
airvent.vkladusa@outlook.com  
www.airvent.ba

**MORAVSKÁ**  
VZDUCHOTECHNIKA S.R.O.

**CZECH REPUBLIC**  
684 01 SLAVKOV U BRNA  
Nižkovice 279  
T +420 (0)602 725002  
moravska@mvt.cz  
www.mvt.cz